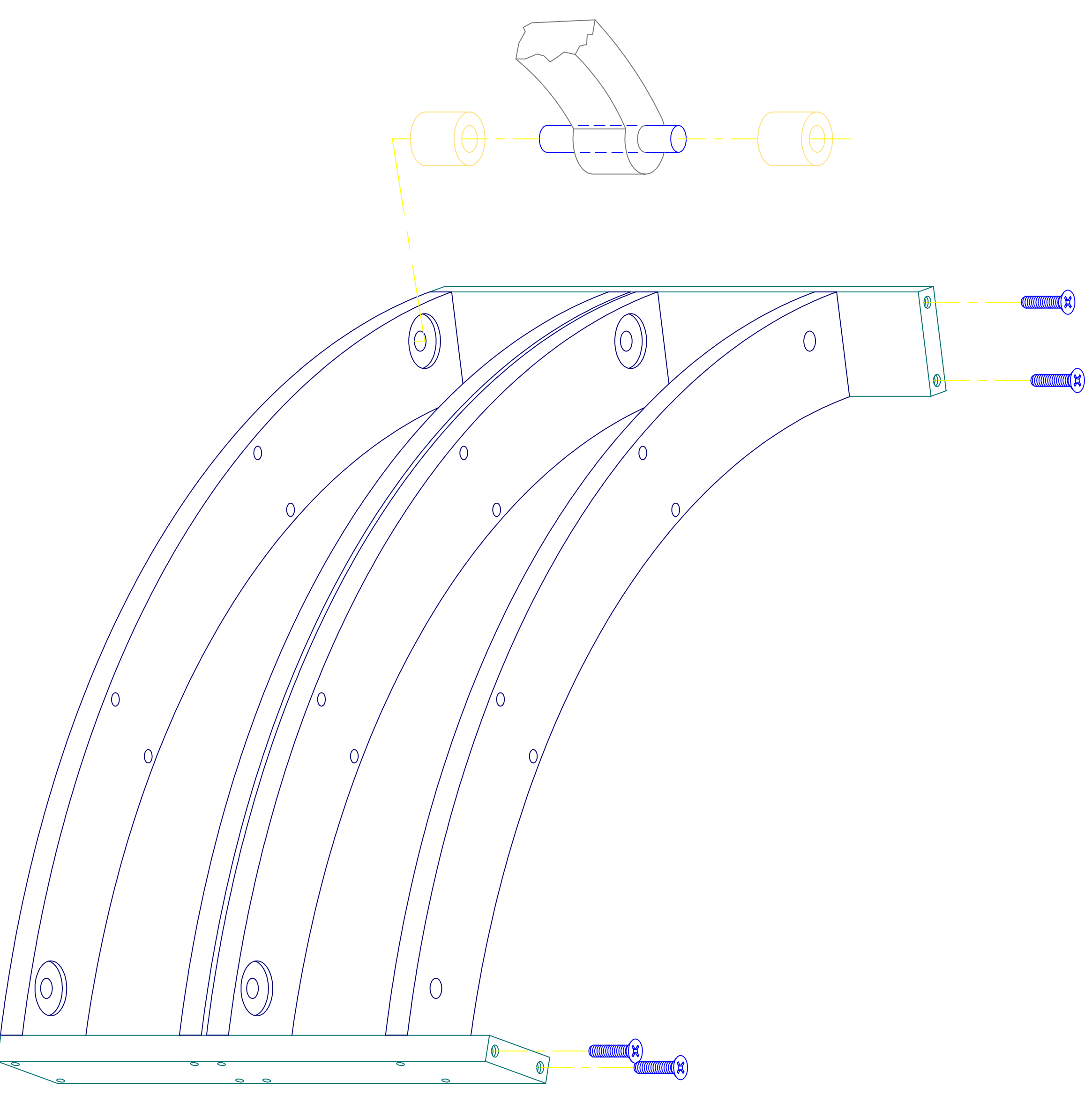
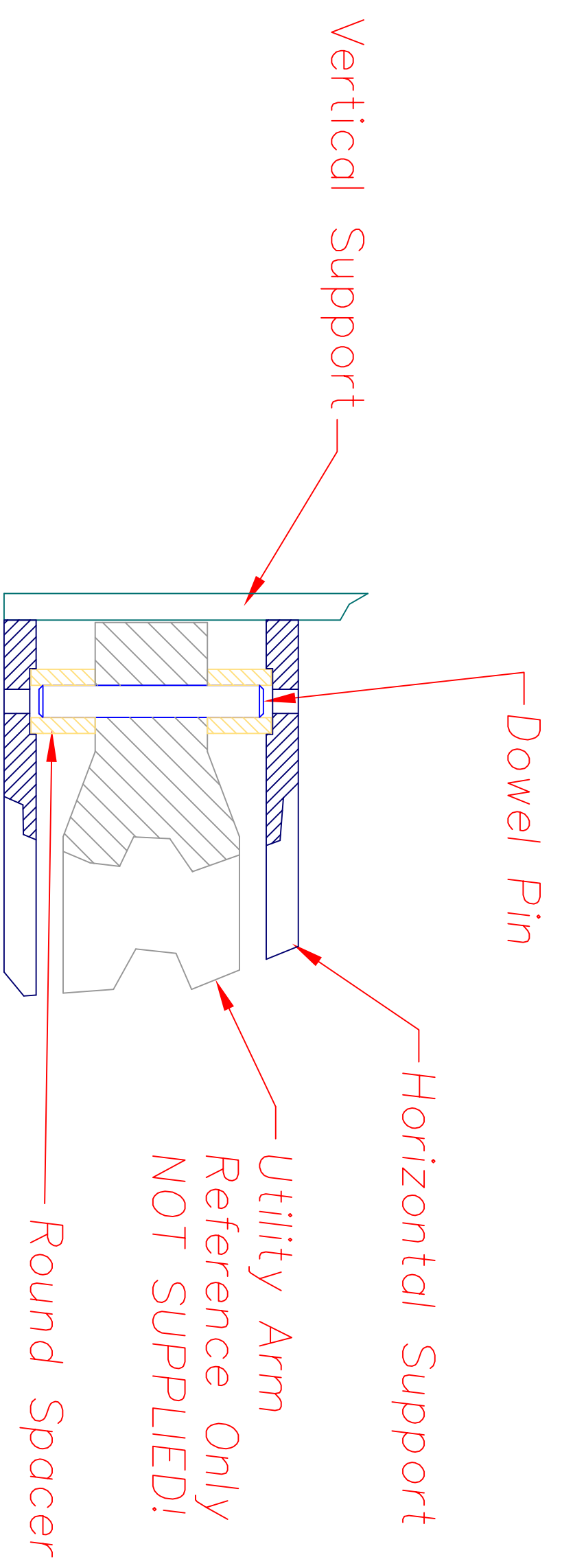
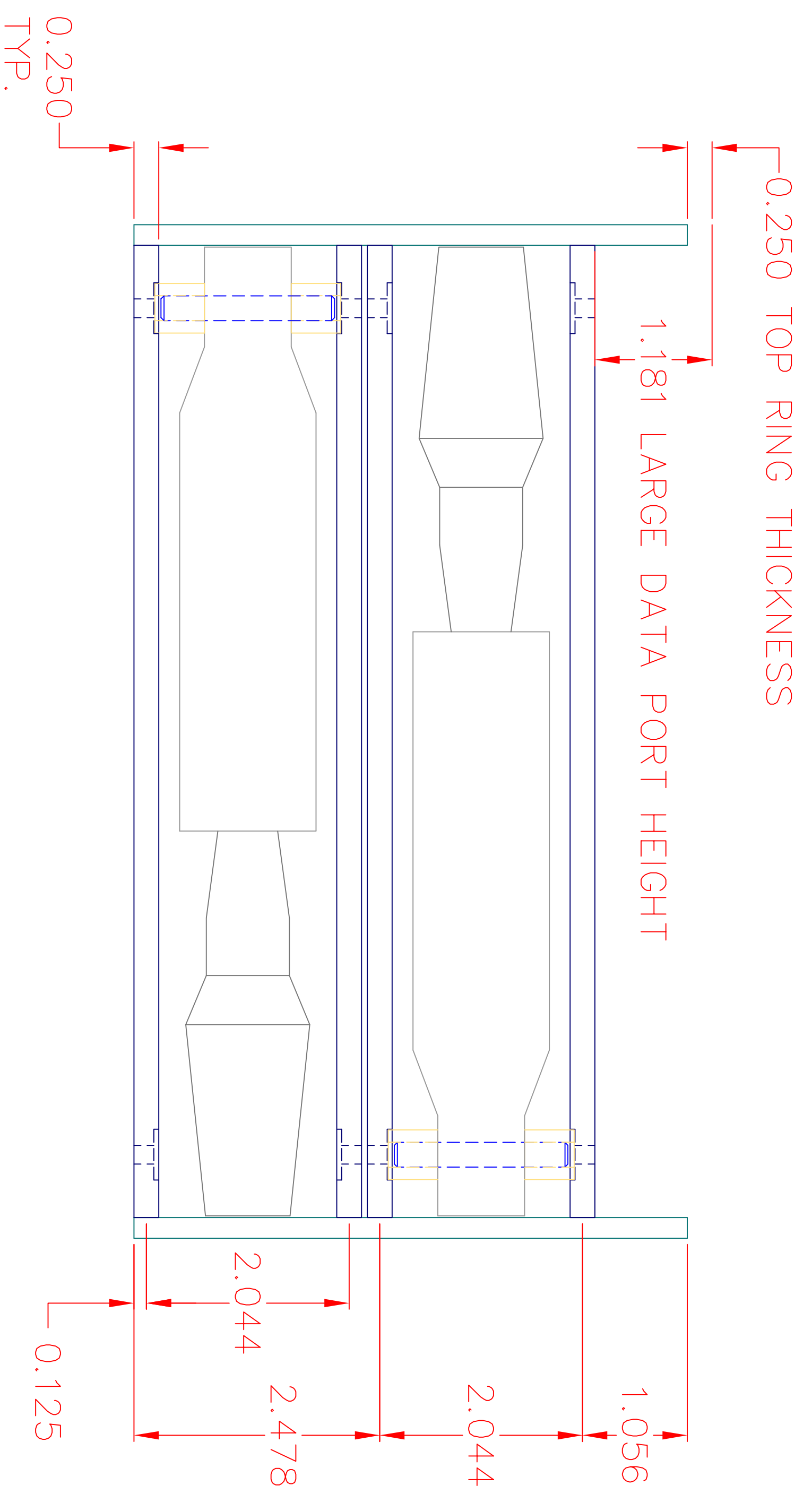
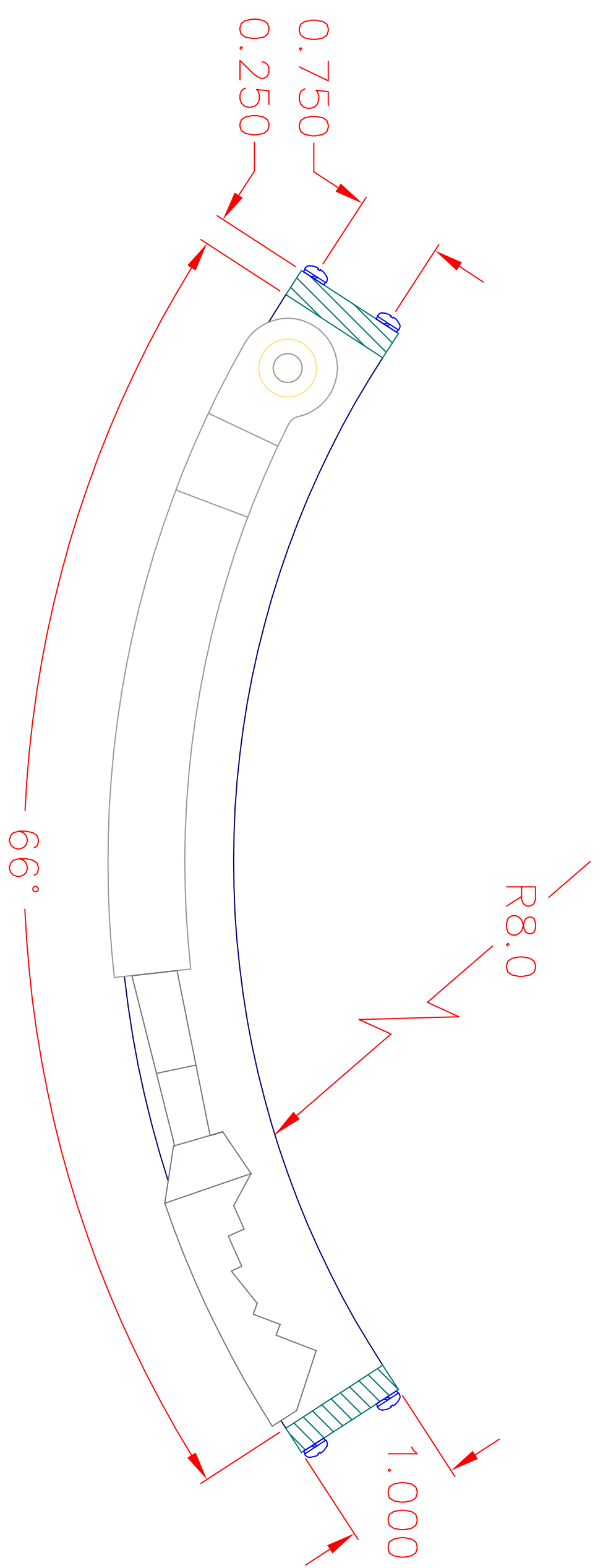
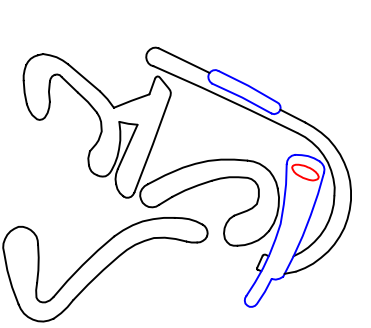


| No. | REVISIONS | DATE | BY |
|-----|-----------------------|------------|-----|
| A | RELEASE TO PRODUCTION | MARCH 2008 | JAG |



UNLESS OTHERWISE SPECIFIED
DIMENSIONS ARE IN INCHES [MM]
TOLERANCES ARE:
.XX .XXX ANGLES
±.015 ±.005 ±1/2°
MATERIAL



UTILITY ARM
CARRIER

R2-02 BUILDERS CLUB
DRAWING NO.

JAG

FORMAT

SCALE: FULL DRAWN: MARCH 2008 SHEET: 1 OF 1 REV: A