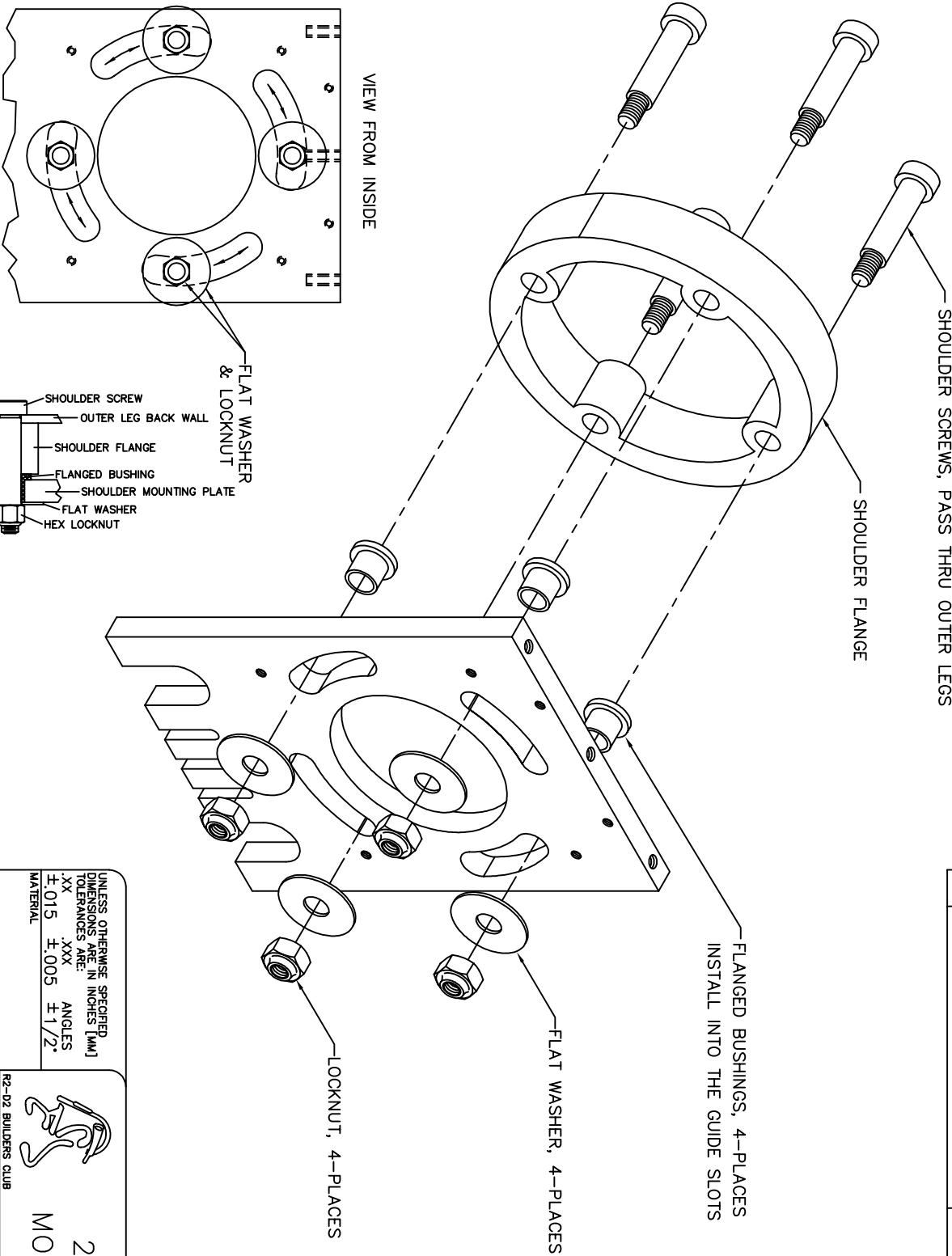


No.	REVISIONS	DATE	BY
A	RELEASE TO PRODUCTION	MARCH 2008	JAG



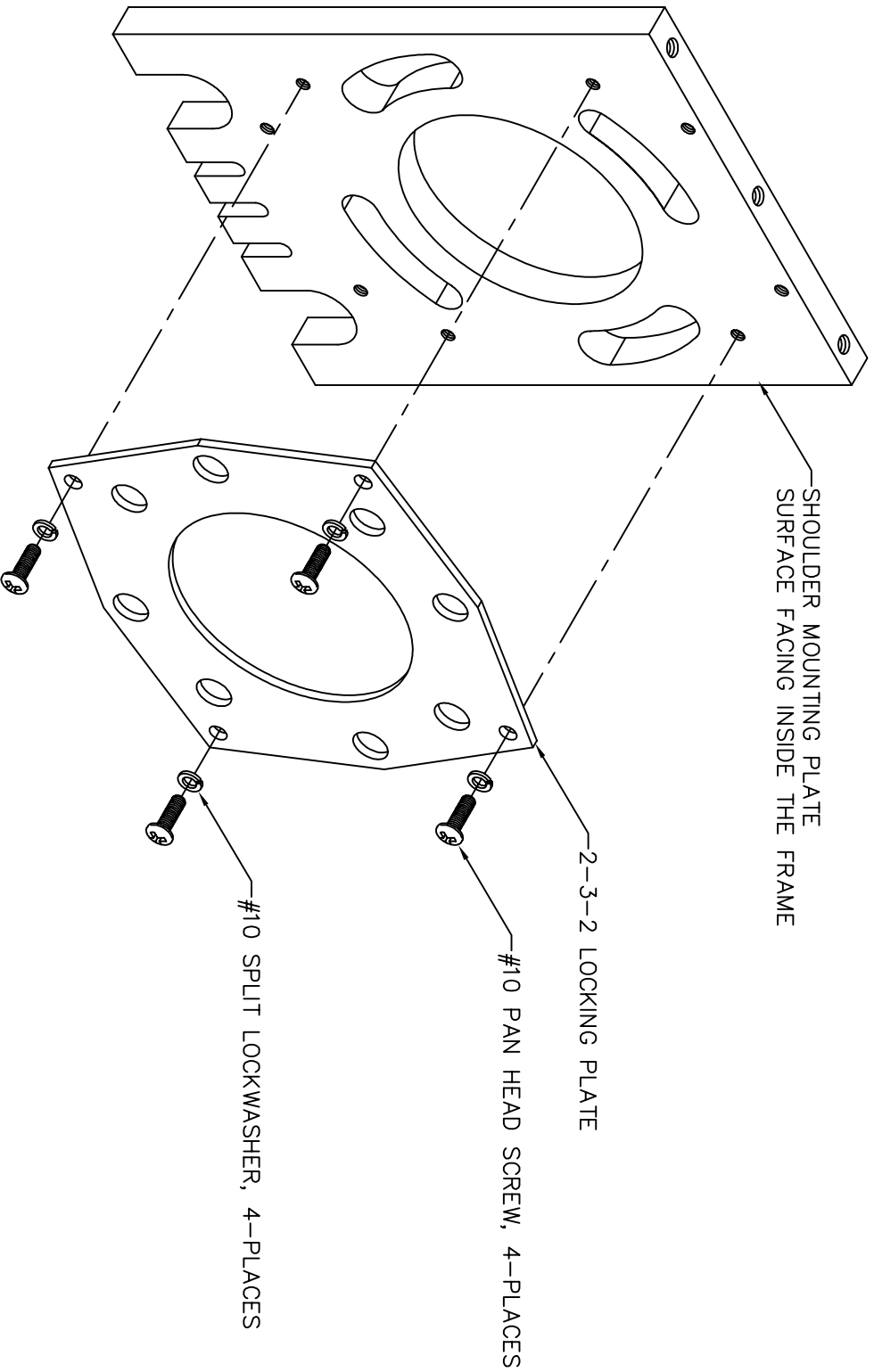
UNLESS OTHERWISE SPECIFIED
DIMENSIONS ARE IN INCHES [MM]
TOLERANCES ARE:
.XX .XXX ANGLES
±.015 ±.005 ±1/2°

R2-02 BUILDERS CLUB
DRAWING NO. JAG V5.0
SCALE: FULL
DRAWN: MARCH 2008
SHEET: 1 OF 1


2-3-2
MOVEMENT

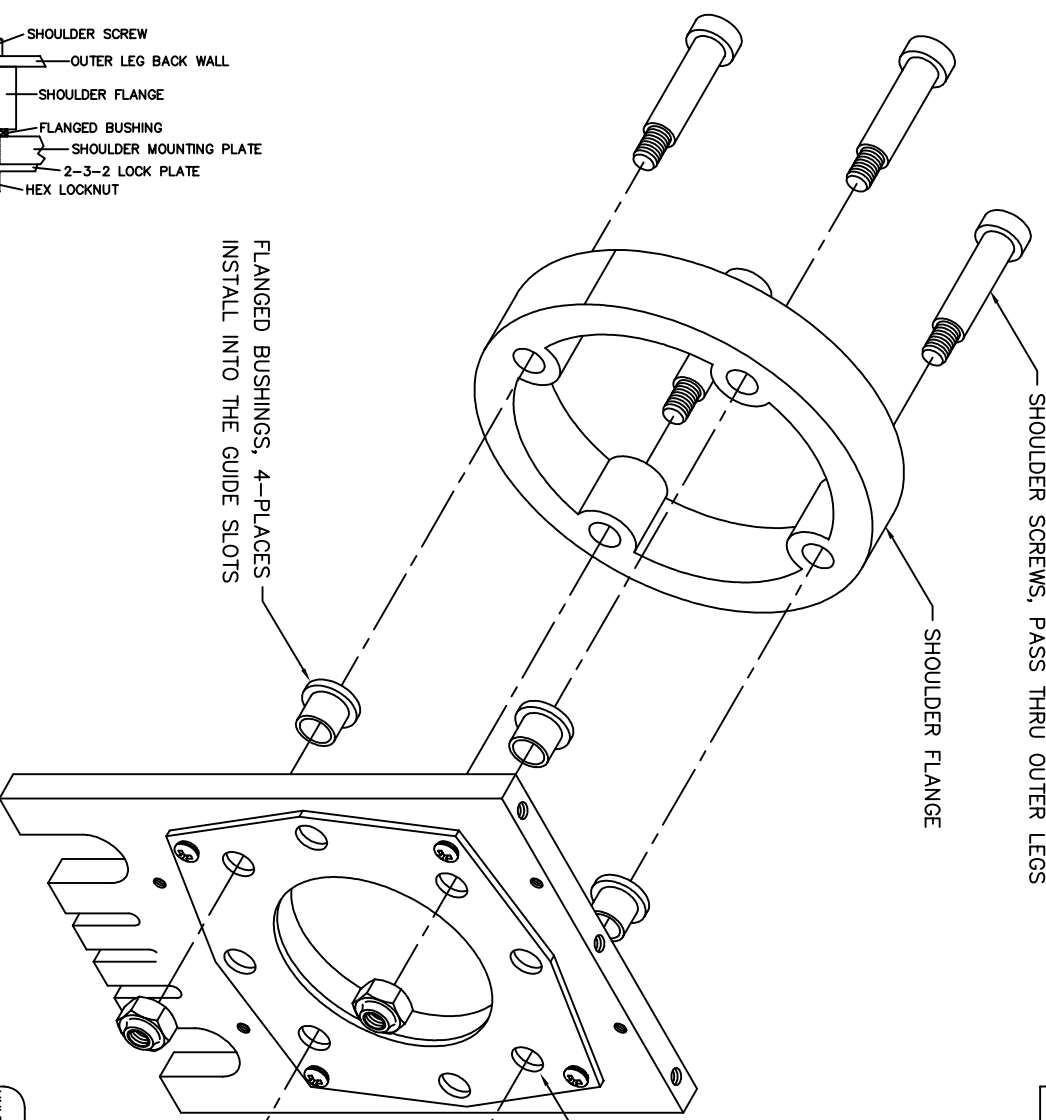
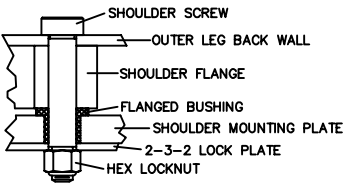
REV. A

No.	REVISIONS	DATE	BY
A	RELEASE TO PRODUCTION	MARCH 2008	JAG



LOOSELY TIGHTEN THE 2-3-2 PLATE TO THE SHOULDER MOUNTING PLATE. DO NOT TIGHTEN THE SCREW TILL THE SHOULDER SCREWS FOR ATTACHING THE LEGS ARE INSTALLED AND ALIGNED.

UNLESS OTHERWISE SPECIFIED DIMENSIONS ARE IN INCHES [MM] TOLERANCES ARE: .XX .XXX ANGLES ±.015 ±.005 ±1/2° MATERIAL		 <p>LEG LOCK FRAME</p>
R2-02 BUILDERS CLUB DRAWING NO. JAG V5.0	SCALE: FULL DRAWN: MARCH 2008 SHEET: 1 OF 1	
FORMAT	REV.	A



FLANGED BUSHINGS, 4-PLACES
INSTALL INTO THE GUIDE SLOTS

SHOULDER SCREWS, PASS THRU OUTER LEGS

SHOULDER FLANGE

USE THESE FOUR POSITIONS FOR
A THREE LEG DROID
USE THE OTHER FOUR POSITIONS FOR
A TWO LEG DROID

LOCKNUT, 4-PLACES

No.	REVISIONS	DATE	BY
A	RELEASE TO PRODUCTION	MARCH 2008	JAG

UNLESS OTHERWISE SPECIFIED
DIMENSIONS ARE IN INCHES [MM]
TOLERANCES ARE:
.XX .XXX ANGLES
±.015 ±.005 ±1/2°
MATERIAL



LEG LOCK
FRAME

FORMAT	R2-02 BUILDERS CLUB	REV.
SCALE: FULL	DRAWING NO. JAG V5.0	A
	DRAWN: MARCH 2008	
	SHEET: 1 OF 1	