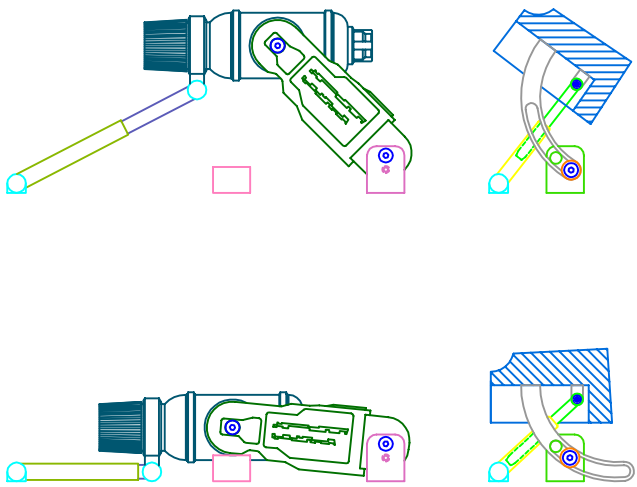
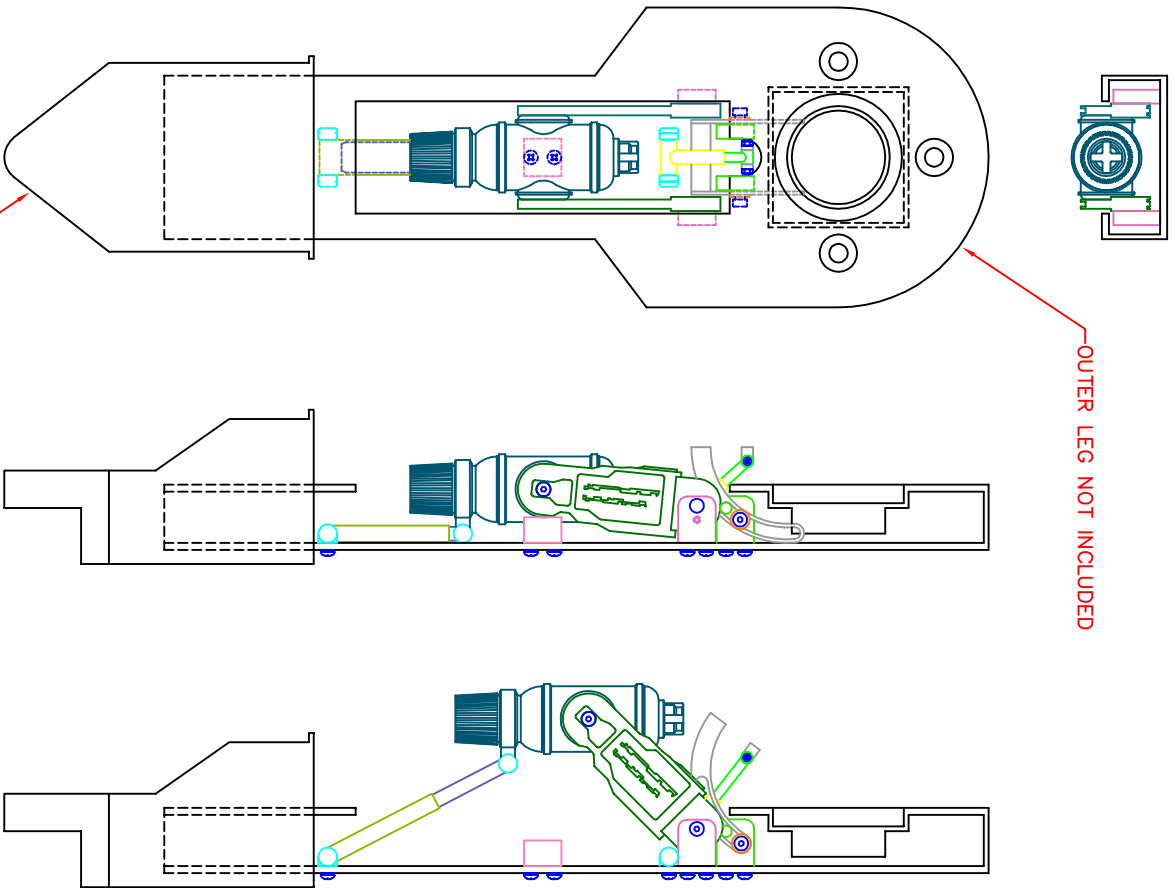
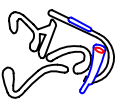


No.	REVISIONS	DATE	BY
A	RELEASE TO PRODUCTION	JULY 2009	JAG



UNLESS OTHERWISE SPECIFIED
 DIMENSIONS ARE IN INCHES [MM]
 .XX .XXX ANGLES
 ±.015 ±.005 ±1/2°
 MATERIAL



**BOOSTER
 ASSEMBLY**

R2-D2 BUILDERS CLUB
 DRAWING NO. **JAG800**
 SCALE: FULL DRAWN: JULY 2009 SHEET: 1 OF 2
 REV. **A**