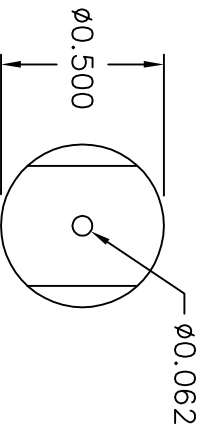
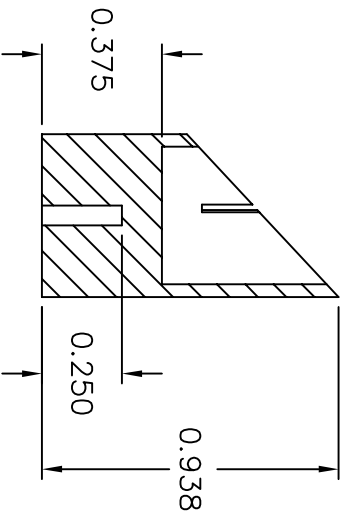
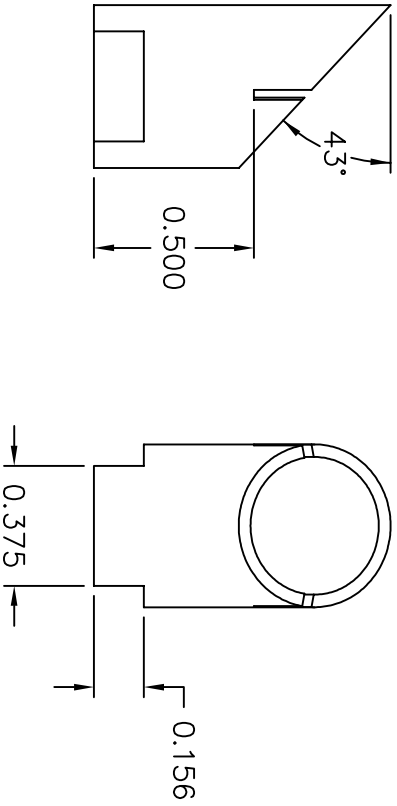
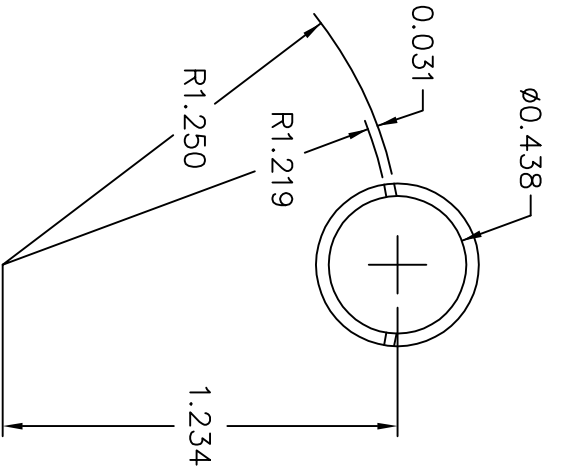


NO.	REVISIONS	DATE	BY
A	RELEASE TO PRODUCTION	AUGUST 2009	JAG



UNLESS OTHERWISE SPECIFIED
 DIMENSIONS ARE IN INCHES [MM]
 TOLERANCES ARE:
 .XX .XXX ANGLES
 ±.015 ±.005 ±1/2°
 MATERIAL
 ALUM ALLOY



CAP
 SCANNER

R2-D2 BUILDERS CLUB

DRAWING NO.

JAG

REV.

A

SCALE: FULL

DRAWN: AUGUST 2009

SHEET: 1 OF 1

FORMAT