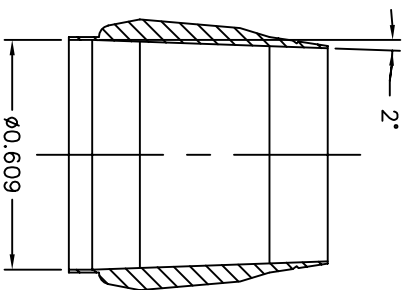
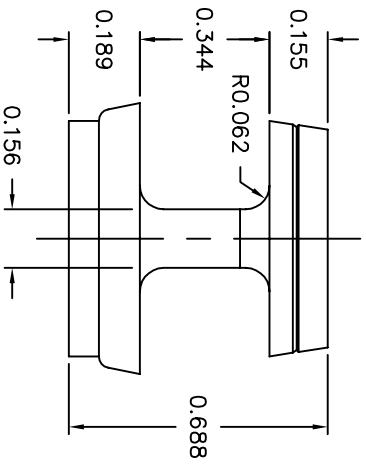
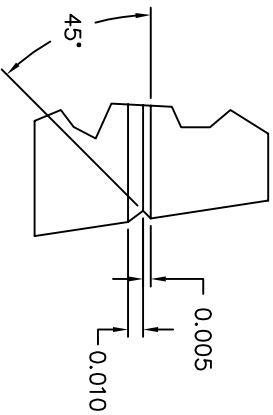
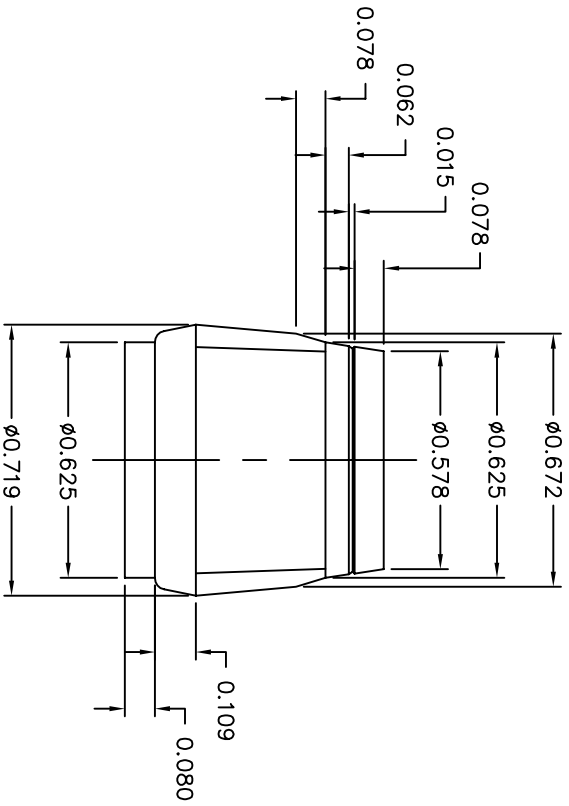
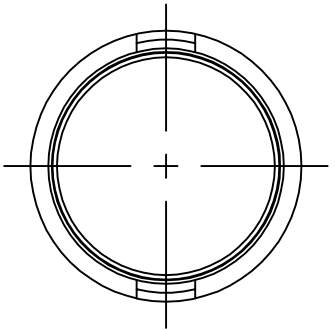


NO.	REVISIONS	DATE	BY
A	RELEASE TO PRODUCTION	AUGUST 2009	JAG



UNLESS OTHERWISE SPECIFIED  
DIMENSIONS ARE IN INCHES [MM]  
TOLERANCES ARE:  
XX .XXX ANGLES  
±.015 ±.005 ±1/2°

MATERIAL  
ALUM ALLOY

FORMAT



BAND  
SCANNER

R2-D2 BUILDERS CLUB

DRAWING NO.

JAG

REV.

A

SCALE: FULL

DRAWN: AUGUST 2009

SHEET: 1 OF 1