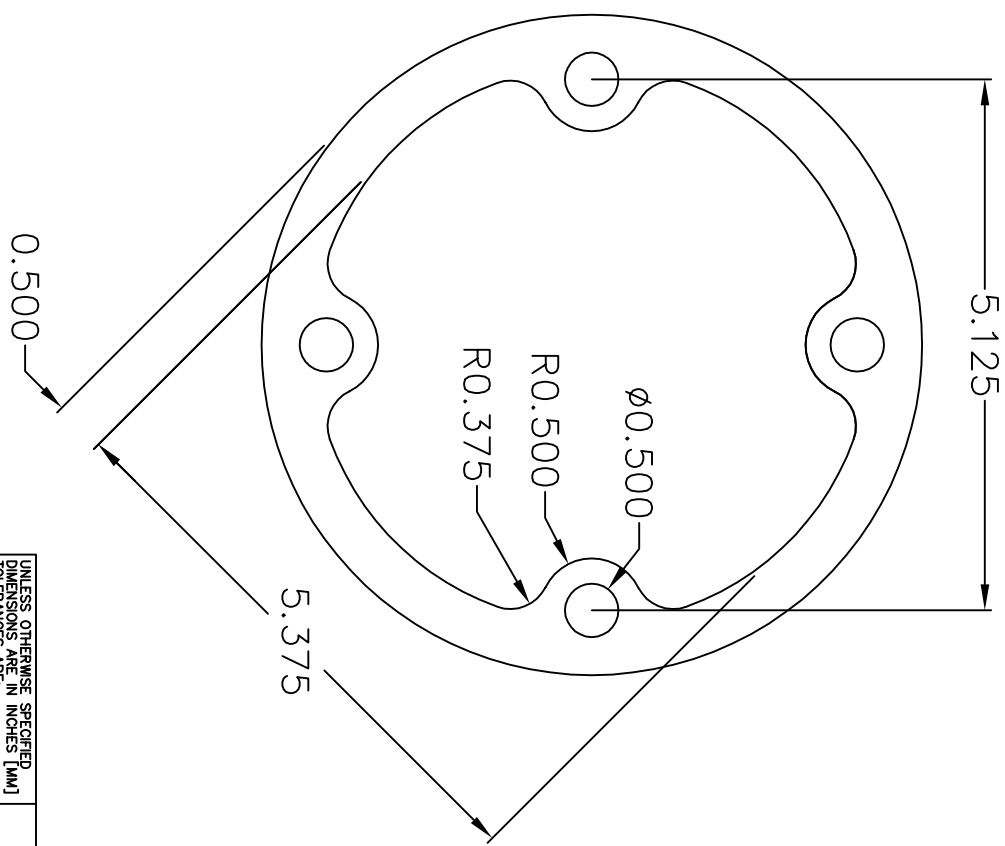
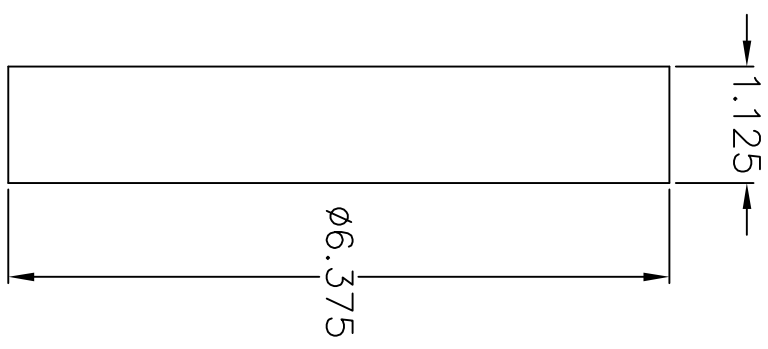


No.	REVISIONS	DATE	BY
A	RELEASE TO PRODUCTION	JULY 2007	JAG



<small>UNLESS OTHERWISE SPECIFIED DIMENSIONS ARE IN INCHES (MM) TOLERANCES ARE: XX .XXX ANGLES ±.015 ±.005 ±1/2° MATERIAL ALUM ALLOY 6061-T6</small>		SHOULDER FLANGE FRAME ASSEMBLY	
FINISH	NONE	DRAWING NO.	JAG20
DO NOT SCALE DRAWING		SCALE: FULL	DRAWN: JAG
		JULY 2007	SHEET: 1 OF 1
REV.	A		