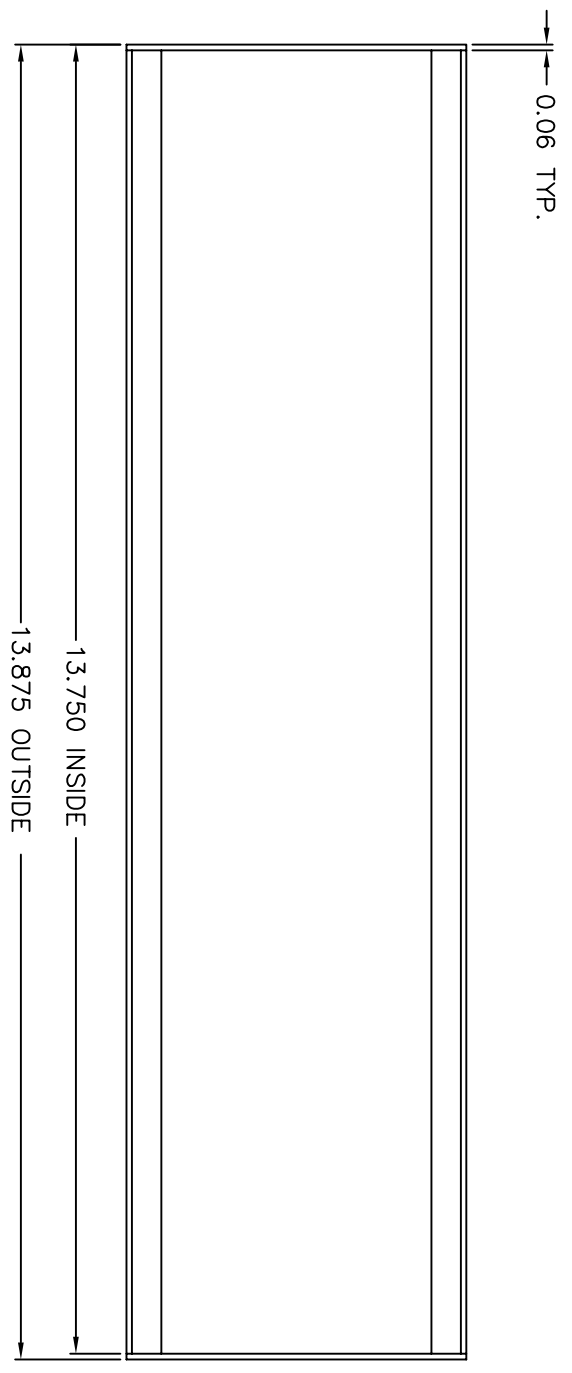
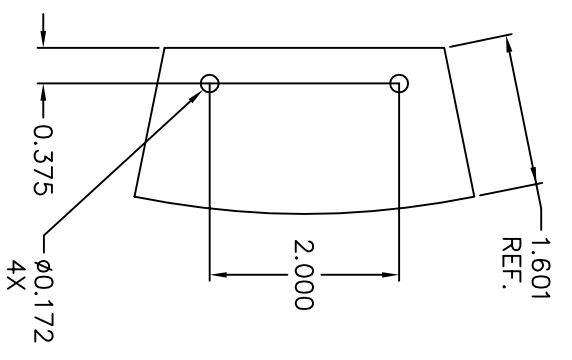
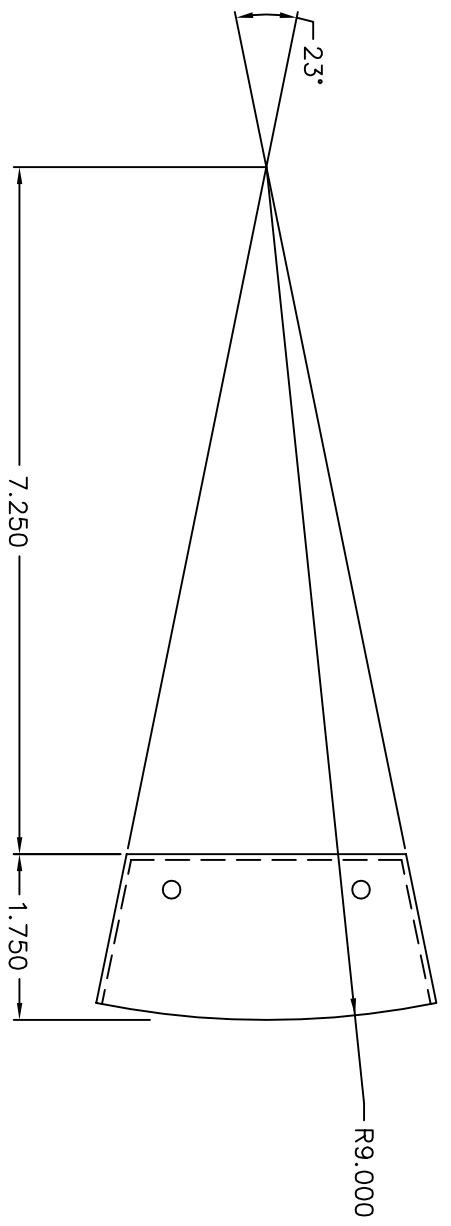


No.	REVISIONS	DATE	BY
A	RELEASE TO PRODUCTION	JULY 2007	JAG



UNLESS OTHERWISE SPECIFIED
DIMENSIONS ARE IN INCHES [MM]
TOLERANCES ARE:
.XX .XXX ANGLES
±.015 ±.005 ±1/2°
MATERIAL

ALUM. ALLOY
5052-H32

DOOR ENCLOSURE V5
FRAME ASSEMBLY

FINISH NONE	DRAWING NO. JAG19	REV. A
DO NOT SCALE DRAWING		
SCALE: FULL	DRAWN: JAG	JULY 2007 SHEET: 1 OF 1